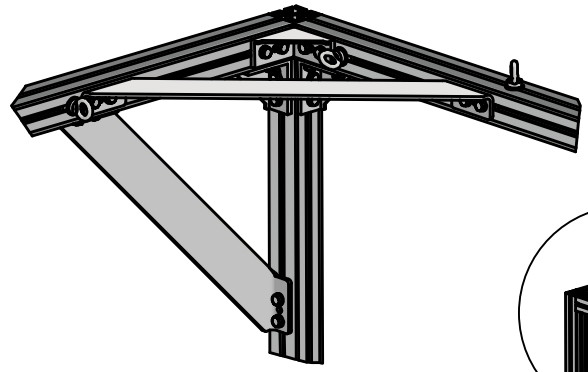
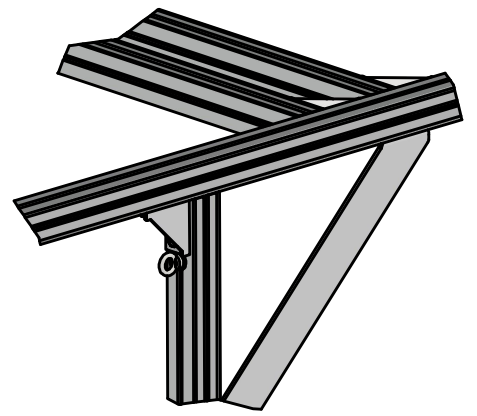


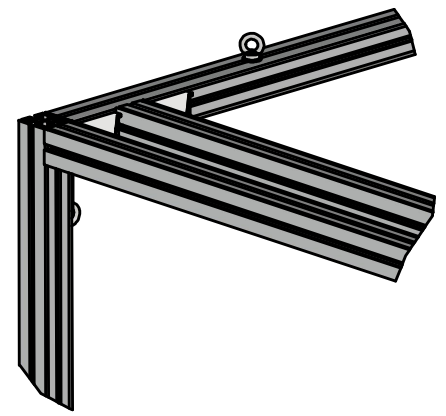
A (1:10)



D (1:10)

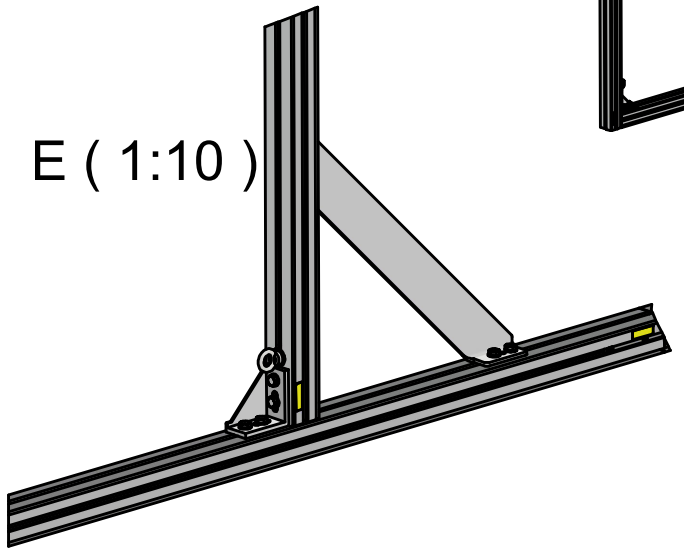


F (1:10)

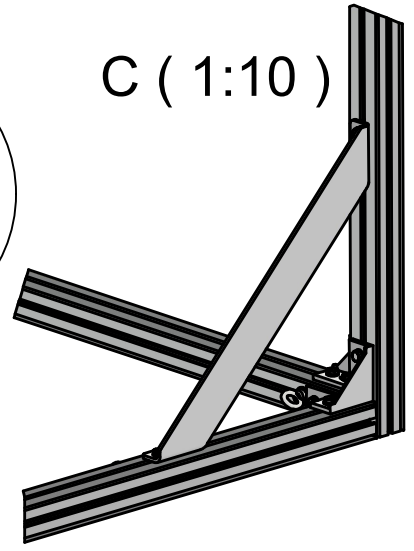


E

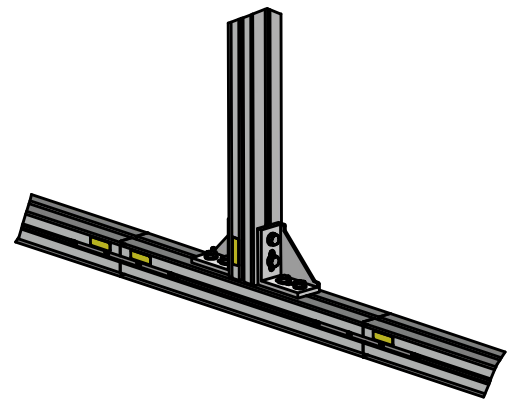
E (1:10)



C (1:10)



B (1:10)



Indoor Golf Partner

Krogsbækvej 1 • DK-2610 Rødovre
 Tel. +45 3020 6524 • www.igpartner.dk • info@igpartner.dk

Sheet size A3	Date	
	Sign.	Maarten
Scale 1:25	Last save	16/01/2024
	Mass	160,555 kg
Revision no.		
Dwg. no.	45422-Pv2	

Flexcage M Detail drawing
 W-D-H = 15' x 13' x 10'-2" = 457 x 396 x 310 cm

Note! This drawing is for mounting purposes only.
 © 2024 Laundryhouse APS DK, all rights reserved.